

# SPECIFICATION SHEET



<b>MODEL NO. :</b>	<b>GAZ 16</b>
<b>DESCRIPTION :</b>	<b>EC Gas Boiler Blower</b>
<b>VERSION :</b>	<b>A</b>
<b>RELEASED DATE :</b>	<b>2019.07.03</b>

# PRODUCT SPECIFICATION

## A. General Specification

Item		Specification			Condition
1	Model No.				
2	Outline Dimension	163 x175 x116	mm		
3	Rated Voltage	AC 230	V		
4	Operating Voltage Range	AC 200 ~ 277	V		
5	Start Voltage	AC 200	V		
6	Frequency	50/60	Hz		
7	Rated Current	0.69	A	+10%	At Rated Voltage, 25°C, 65% RH, Free Air
8	Power Consumption	73	W	+10%	
9	Rotating Speed	6000	RPM	±10%	At Rated Voltage, 25°C, 65% RH, Free Air
10	Max. Airflow	58.82	CFM		At Rated Voltage AMCA 210 Standard At Rated Current
		1.667	m <sup>3</sup> /min		
11	Max. Static Pressure	387.48	mmH <sub>2</sub> O		
		15.25	inchH <sub>2</sub> O		
12	Life	20,000hrs	at 25°C		
13	Rotating Direction	Counterclockwise seen on impeller			
14	Weight	1.08	Kg		
15	Motor Type	EC Brushless Motor			
16	Speed Control	PWM Signal 1K~20KHz			
17	Signal Output	FG Signal (2 Pulses/Rev)			

## B. Main Materials / Parts Specification

Materials / Parts		Specification
1	Blade	PA66+GF30 Anti-Static&Fire Resistant Plastic
2	Housing	Aluminum Die Casting
3	Bearing	Ball Bearing
4	Termination	Lead Wires
5	Connector	N/A

## C. Safety Approvals

Safety Approvals	UL	TUV	
File Number	N/A	N/A	

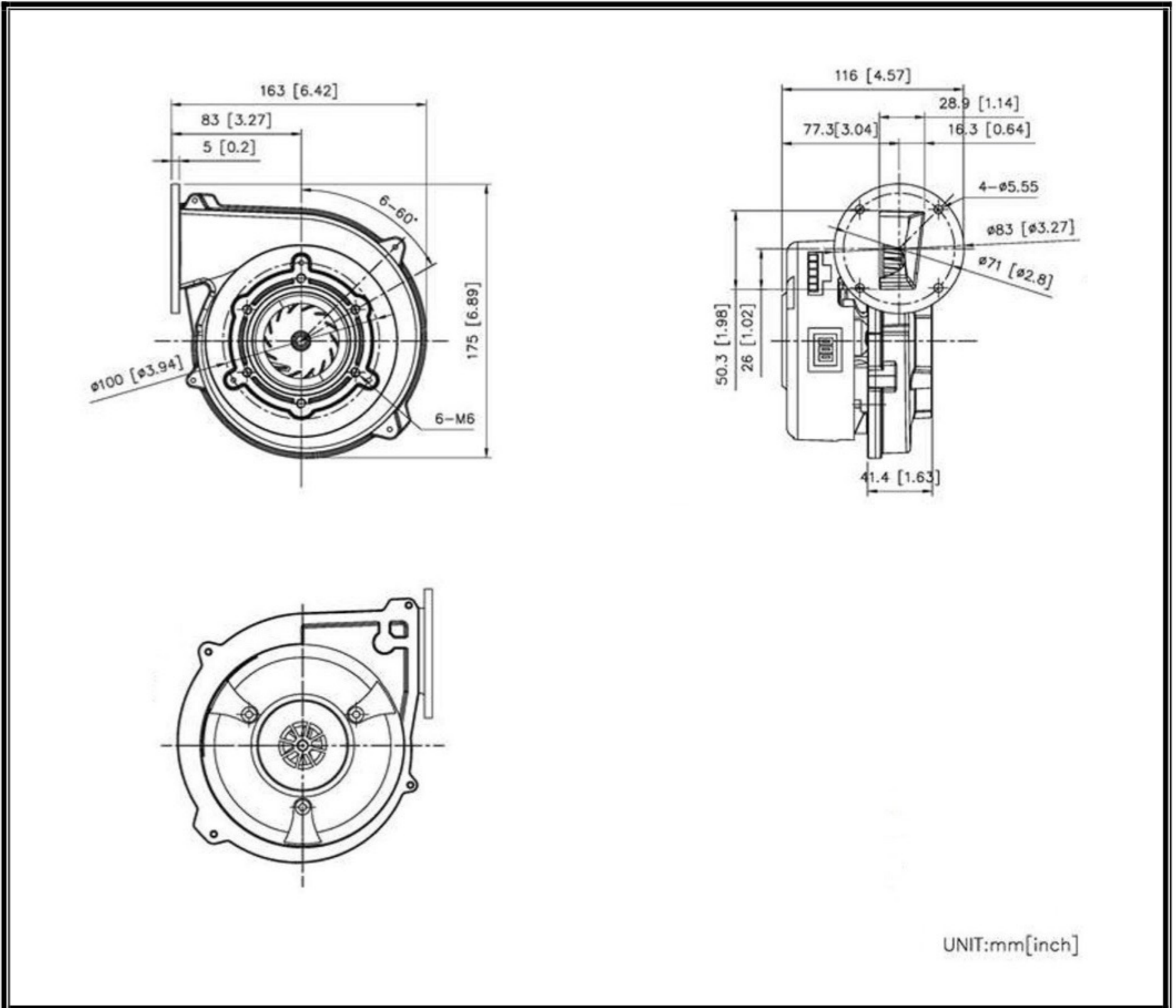
## D. Environmental Specification

Item		Specification / Condition
1	Operating Temp. Range	Temperature : -0°C ~ + 70°C Humidity : 5% - 95% RH
2	Storage Temperature	All function shall be normal after 500 hours storage at -25°C to +80 °C with a 24 hour recovery period at room temperature. Humidity : 5% - 95% RH
3	Humidity Test	After 96 hours, 95% RH, 40+/-2°C per MIL-STD-202F, method 103B humidity test, the measured data on insulation resistance and dielectric strength shall meet the specification.
4	Thermal Shock	Per MIL-STD 202F Method 107D, Condition D
5	Insulation Shock	Class B

## E. Electrical Specification

Item		Specification/Condition
1	Insulation Resistance	10MΩ/Between unshielded wire and frame at 500 VDC\min
2	Dielectric Strength	3mA Max./Measured b\w lead wire (+) and frame at 1500 VAC\min
3	Locked rotor Protection	Locked Rotor Protection & Current-Limiting Protection

## F. Outline Dimension



## G. Airflow Performance

